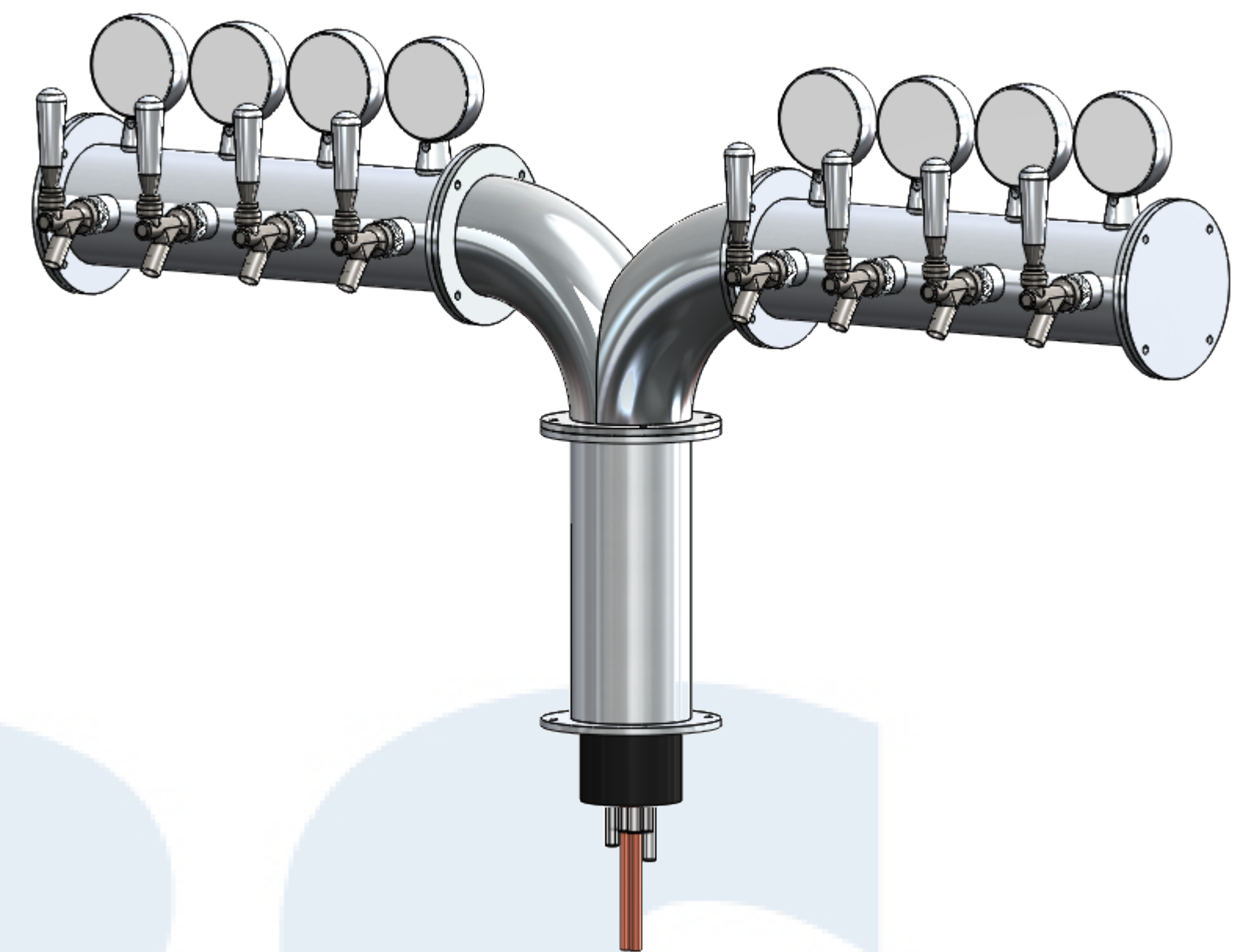
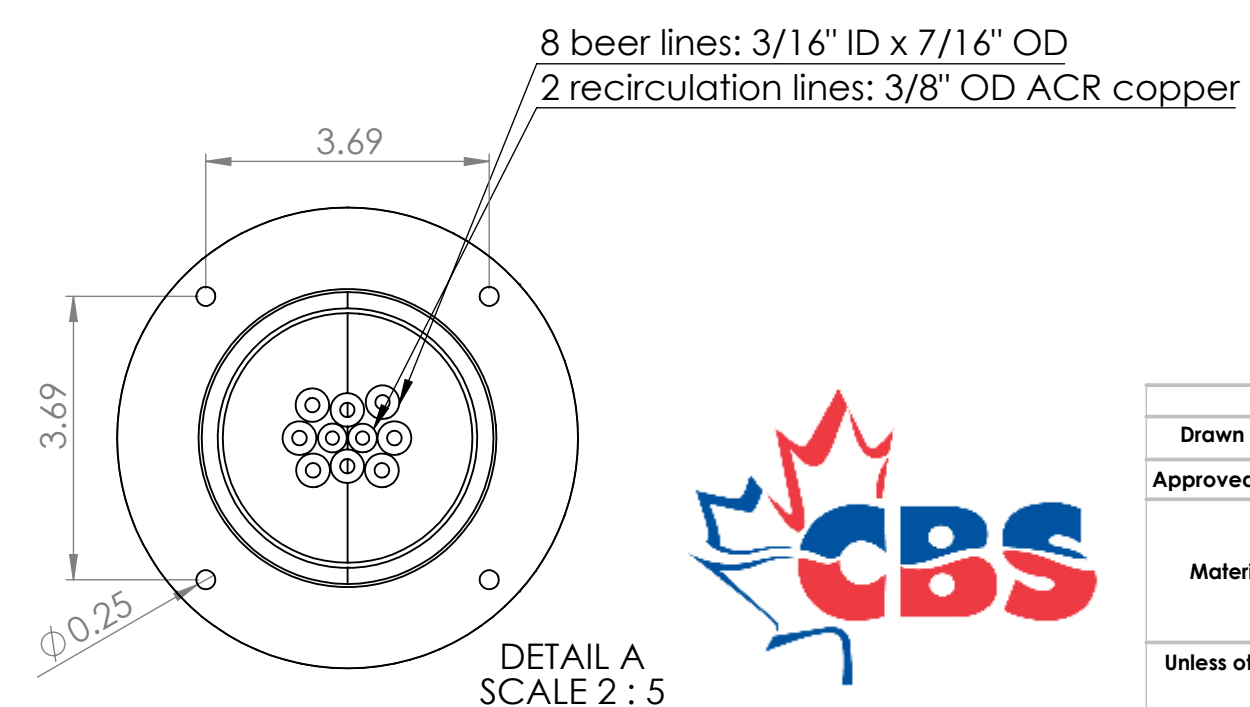
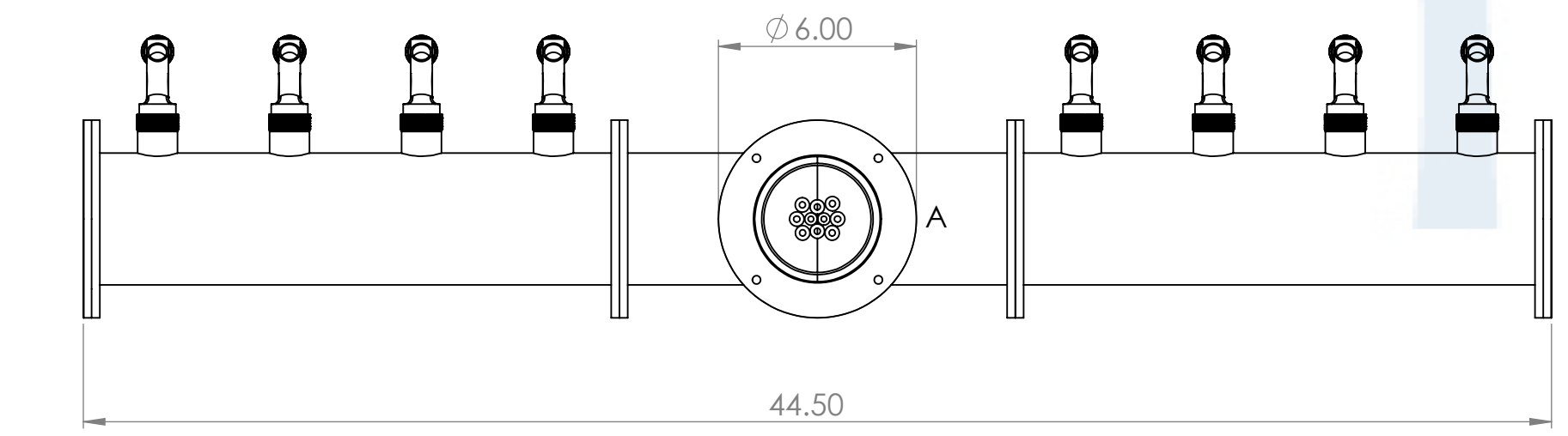


304SS tube connected to CBS NSF Flexible Total Barrier Tubing to 15lbs of Restriction



Isometric View  
(For reference purpose only)



DETAIL A  
SCALE 2 : 5

Suggested Drip Tray:  
BB701345 - 45" x 7" BSS Drip Tray  
BB702445 - 45" x 7" BSS Spray Drip Tray



Name		Date		Title:	
Drawn by:	Canadian Beverage Supply Inc.	08/07/2020		4" 8 Tap LIT Albatross Tower	
Approved by:		VP Sales		Part Number:	
Material:	304 SS	Finish:	Polished SS	BB102920-08SSCK	
Unless otherwise mentioned, dimensions are inches				Revision:	
SCALE: 1:5				SHEET 1 OF 1	